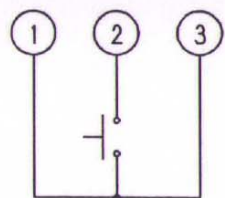


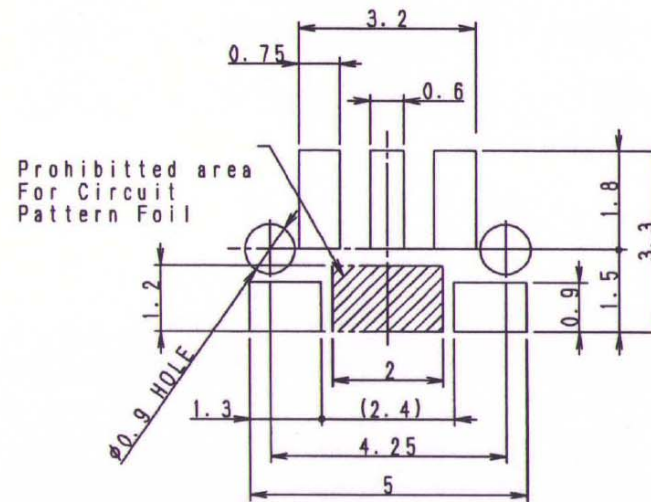
CIRCUIT DIAGRAM



NOTE

1. TAPING SPECIFICATION TO BE ACCORDANCE WITH TRT901.

PRINTED CIRCUIT BOARD
MOUNTING PATTERN DIMENSION



TOLERANCE UNLESS OTHERWISE SPEC.

BASIC DIMENSIONS	TOLERANCE
UP TO 10	±0.3
ABOVE 10 TO 100	±0.5
ABOVE 100	±0.8

ANGULAR DIMENSIONS ±3°


 銓基電子股份有限公司
 ROKI ELECTRONICS CO., LTD.

PART NAME : TACT SWITCH

SCALE :

PART NO : TS128M-AN-PF

UNIT : mm

TOLERANCE : ±0.3 mm



VER : R01